



## Section 2

# Galvanised Malleable Iron Pipe Fittings

## Specifications

**STANDARD AND IDENTIFICATION:** Standard for production and use EN 10242 : 1994. Fittings made of high quality blackheart malleable cast iron to ASTM A-197, ASTM A47.

**THREADS:** The threads are cut according to AS 1722.1 / ISO 7/1. Parallel internal thread (RP) and tapered external thread (R).

**APPLICATION:** All the fittings are adequate for the supply of water at recommended maximum working pressures of 1379kPa and gas, steam and compressed air at recommended maximum working pressure of 1034 kPa. Note: Working pressures may also be limited by relevant pressure piping codes or Industry regulations.

**DIMENSIONS:** All the fittings are manufactured to the specifications of standard BS EN 10242, BS 143, BS 1256.

**INSPECTION:** All the fittings are inspected for conformity with the specifications of standard EN 10242.

**MARKING:** All the fittings, when possible, are marked with brand and/or with the nominal size Identification.

**HOT DIP:** The fittings are delivered in hot dip galvanised finish, as prescribed by the standard EN 10242.

**LEAK TEST:** Applying the standard EN 10242 each individual fitting is subjected to a pressure test with a min. hydrostatic pressure of 2068 kPa, which is equivalent to a pneumatic pressure of min. 500 kPa, without showing any sign of leakage or abnormality.

### BRITISH STANDARD THREADS

ALL MEASUREMENTS IN MM

NOMINAL BORE OF PIPE		APPROX OUTSIDE DIAMETER	NUMBER OF THREADS PER INCH	PITCH	DEPTH OF THREADS	DIAMETER AT GAUGE PLANE	LENGTH OF USEFUL THREAD
IMPERIAL	METRIC	A		P	H	B	E
1/8	6	10.16	28	0.907	0.581	9.72	6.5
1/4	8	13.66	19	1.337	0.856	13.15	9.7
3/8	10	17.17	19	1.337	0.856	16.66	10.1
1/2	15	21.51	14	1.814	1.162	20.95	13.2
3/4	20	27.00	14	1.814	1.162	26.44	14.5
1	25	33.93	11	2.309	1.479	33.24	16.8
1 1/4	32	42.59	11	2.309	1.479	41.91	19.1
1 1/2	40	48.48	11	2.309	1.479	47.80	19.1
2	50	60.47	11	2.309	1.479	59.61	23.4
2 1/2	65	76.09	11	2.309	1.479	75.18	26.7
3	80	88.87	11	2.309	1.479	87.88	29.8
4	100	114.14	11	2.309	1.479	113.03	35.8
5	125	139.65	11	2.309	1.479	138.43	40.1
6	150	165.12	11	2.309	1.479	163.83	40.1

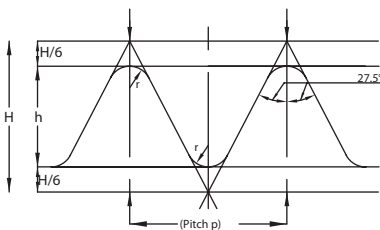


Fig. 1. (Parallel)  
 $H = 0.960491 \times p$   
 $h = 0.640327 \times p$   
 $r = 0.137329 \times p$

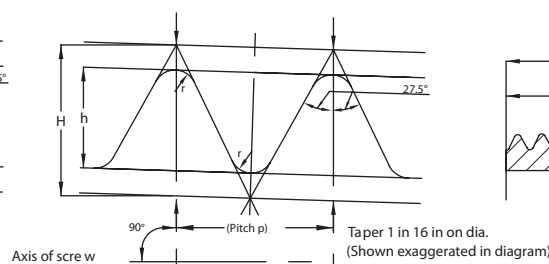


Fig. 2. (T. apert)  
 $H = 0.960237 \times p$   
 $h = 0.640327 \times p$   
 $r = 0.137278 \times p$

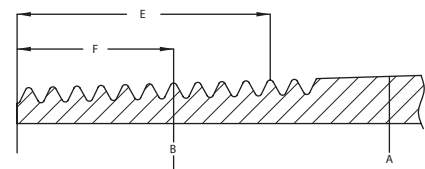
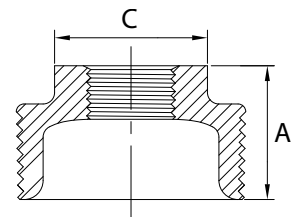
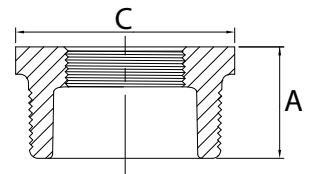


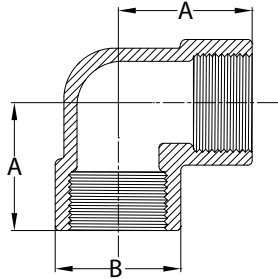
Fig. 3. (T. apert)

## Galvanised Malleable Hexagon Bush

Galvanised Malleable Hexagon Bush				
CODE	METRIC SIZE	A	C	APPROX KG/PC
GB008006	8 x 6	17.0	16.3	0.01
GB010006	10 x 6	16.3	21.6	0.02
GB010008	10 x 8	16.3	21.1	0.02
GB015006	15 x 6	21.2	26.2	0.05
GB015008	15 x 8	19.0	26.2	0.04
GB015010	15 x 10	19.0	26.2	0.03
GB020006	20 x 6	21.6	29.2	0.08
GB020008	20 x 8	21.6	29.2	0.08
GB020010	20 x 10	21.6	29.2	0.06
GB020015	20 x 15	23.6	29.2	0.05
GB025008	25 x 8	28.7	28.5	0.09
GB025010	25 x 10	28.7	28.5	0.08
GB025015	25 x 15	28.0	36.1	0.09
GB025020	25 x 20	28.0	36.1	0.08
GB032010	32 x 10	31.4	28.5	0.13
GB032015	32 x 10	31.4	31.5	0.14
GB032020	32 x 20	27.4	44.7	0.16
GB032025	32 x 25	27.4	44.7	0.13
GB040010	40 x 10	33.0	28.5	0.17
GB040015	40 x 15	33.0	34	0.17
GB040020	40 x 20	33.0	36.5	0.18
GB040025	40 x 25	31.2	50.8	0.21
GB040032	40 x 32	31.2	50.8	0.15
GB050010	50 x 10	32.4	28.5	0.28
GB050015	50 x 15	35.3	34.0	0.26
GB050020	50 x 20	35.3	41.4	0.29
GB050025	50 x 25	35.3	45.0	0.30
GB050032	50 x 32	38.0	63.0	0.34
GB050040	50 x 40	38.0	63.0	0.28
GB065025	65 x 25	38.4	49.5	0.44
GB065032	65 x 32	38.4	60.7	0.47
GB065040	65 x 40	38.4	75.7	0.53
GB065050	65 x 50	39.1	75.7	0.46
GB080025	80 x 25	40.9	49.5	0.64
GB080032	80 x 32	40.9	60.7	0.64
GB080040	80 x 40	40.9	68.1	0.69
GB080050	80 x 50	40.9	98.0	0.78
GB080065	80 x 65	40.9	98.0	0.76
GB100050	100 x 50	51.2	83.3	1.14
GB100065	100 x 65	46.2	98.1	1.30
GB100080	100 x 80	51.0	126.0	1.34
GB125100	125 x 100	57.2	146.8	2.23
GB150100	150 x 100	59.1	147.1	3.22
GB150125	150 x 125	54.7	179.1	3.13

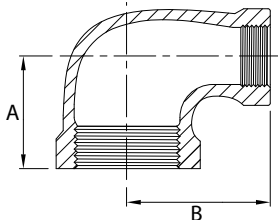


**Galvanised Malleable Female-Female Elbow 90 Degree**



Galvanised Malleable Female-Female Elbow 90 Degree			
CODE	METRIC SIZE	A	APPROX KG/PC
GE006	6	17.5	0.03
GE008	8	20.6	0.05
GE010	10	24.1	0.1
GE015	15	28.5	0.1
GE020	20	33.3	0.2
GE025	25	38.1	0.3
GE032	32	44.5	0.4
GE040	40	49.3	0.6
GE050	50	57.2	0.8
GE065	65	68.6	1.5
GE080	80	78.2	2.3
GE100	100	96.3	4.1
GE150	150	130.3	10.7

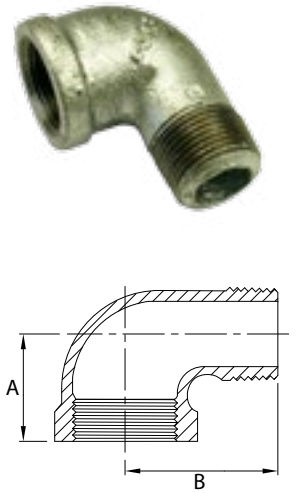
**Galvanised Malleable Female-Female Reducing Elbow 90 Degree**



Galvanised Malleable Female-Female Reducing Elbow 90 Degree				
CODE	METRIC SIZE	A	B	APPROX KG/PC
GER010006	10 x 6	20.5	21.6	0.058
GER010008	10 x 8	22.4	22.9	0.062
GER015008	15 x 8	24.6	24.9	0.08
GER015010	15 x 10	26.4	26.2	0.09
GER020010	20 x 10	28.5	28.7	0.12
GER020015	20 x 15	30.5	31.0	0.14
GER025010	25 x 10	31.0	32.1	0.16
GER025015	25 x 15	32.0	35.5	0.20
GER025020	25 x 20	34.8	36.8	0.23
GER032015	32 x 15	34.0	38.9	0.27
GER032020	32 x 20	36.8	41.2	0.30
GER032025	32 x 25	40.1	42.4	0.37
GER040015	40 x 15	35.0	42.0	0.33
GER040020	40 x 20	38.6	44.5	0.39
GER040025	40 x 25	41.9	45.7	0.43
GER040032	40 x 32	46.2	47.8	0.51
GER050015	50 x 15	37.6	47.5	0.47
GER050020	50 x 20	40.6	50.0	0.54
GER050025	50 x 25	43.9	51.3	0.58
GER050032	50 x 32	48.3	53.3	0.71
GER050040	50 x 40	51.3	54.9	0.76

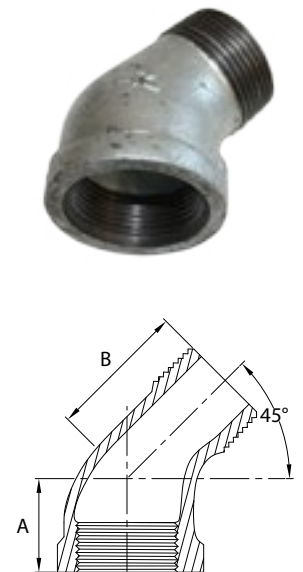
## Galvanised Malleable Male-Female Elbow 90 Degree

Galvanised Malleable Male-Female Elbow 90 Degree				
CODE	METRIC SIZE	A	B	APPROX KG/PC
GEMF006	6	17.5	25.4	0.052
GEMF008	8	20.2	29.6	0.05
GEMF010	10	24.1	37.6	0.07
GEMF015	15	27.9	40.4	0.10
GEMF020	20	32.6	47.0	0.18
GEMF025	25	37.3	53.3	0.27
GEMF032	32	44.5	65.2	0.43
GEMF040	40	48.3	66.9	0.62
GEMF050	50	56.1	81.1	1.02
GEMF065	65	67.2	96.0	1.51
GEMF080	80	76.6	112.3	2.39
GEMF100	100	94.4	141.6	4.06

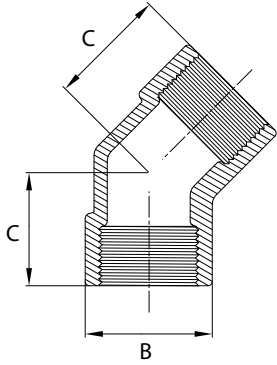


## Galvanised Malleable Male-Female Elbow 45 Degree

Galvanised Malleable Male-Female Elbow 45 Degree				
CODE	METRIC SIZE	A	B	APPROX KG/PC
GEMF45006	6	16.0	21.0	0.024
GEMF45015	15	21.9	33.0	0.09
GEMF45020	20	24.4	37.5	0.13
GEMF45025	25	27.9	43.0	0.22
GEMF45032	32	32.1	47.4	0.32
GEMF45040	40	35.6	52.0	0.46
GEMF45050	50	41.8	60.4	0.76
GEMF45065	65	49.5	69.0	1.35

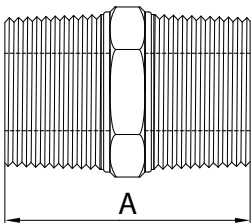


## Galvanised Malleable Female-Female Elbow 45 Degree



Galvanised Malleable Female-Female Elbow 45 Degree			
CODE	METRIC SIZE	A	APPROX KG/PC
GE45008	8	18.5	0.05
GE45010	10	20.3	0.07
GE45015	15	22.4	0.10
GE45020	20	24.9	0.15
GE45025	25	28.5	0.23
GE45032	32	32.8	0.33
GE45040	40	36.3	0.46
GE45050	50	42.7	0.70
GE45065	65	49.5	1.26
GE45080	80	55.1	2.04
GE45100	100	66.3	3.38

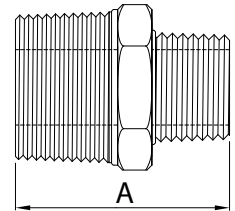
## Galvanised Malleable Hexagon Nipple



Galvanised Malleable Hexagon Nipple			
CODE	METRIC SIZE	A	APPROX KG/PC
GN008	8	38.0	0.03
GN010	10	39.0	0.04
GN015	15	44.7	0.07
GN020	20	49.3	0.11
GN025	25	54.2	0.19
GN032	32	57.1	0.28
GN040	40	60.0	0.34
GN050	50	69.3	0.54
GN065	65	73.2	0.50
GN080	80	83.3	0.83
GN100	100	96.7	1.16
GN150	150	117.5	3.00

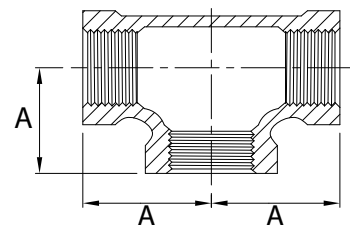
## Galvanised Malleable Hexagon Reducing Nipple

Galvanised Malleable Hexagon Reducing Nipple			
CODE	METRIC SIZE	A	APPROX KG/PC
GNR015008	15 x 8	44	0.05
GNR015010	15 x 10	44	0.05
GNR020010	20 x 10	47	0.1
GNR020015	20 x 15	47	0.1
GNR025015	25 x 15	53	0.12
GNR025020	25 x 20	53	0.12
GNR032020	32 x 20	57	0.22
GNR032025	32 x 25	57	0.22
GNR040015	40 x 15	59	0.3
GNR040020	40 x 20	59	0.3
GNR040025	40 x 25	59	0.3
GNR040032	40 x 32	59	0.3
GNR050025	50 x 25	68	0.42
GNR050032	50 x 32	68	0.42
GNR050040	50 x 40	68	0.42
GNR065050	65 x 50	75	0.69
GNR080050	80 x 50	83	1
GNR080065	80 x 65	83	1
GNR100080	100 x 80	92	1.42

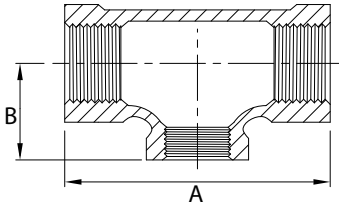


## Galvanised Malleable Equal Tee

Galvanised Malleable Equal Tee			
CODE	METRIC SIZE	A	APPROX KG/PC
GT006	6	17.5	0.05
GT008	8	20.6	0.07
GT010	10	24.1	0.10
GT015	15	28.5	0.16
GT020	20	33.3	0.22
GT025	25	38.1	0.38
GT032	32	44.5	0.59
GT040	40	49.3	0.75
GT050	50	57.3	0.01
GT065	65	68.6	2.02
GT080	80	78.2	3.05
GT100	100	96.3	5.13
GT150	150	119.3	9.6



## Galvanised Malleable Reducing Tee

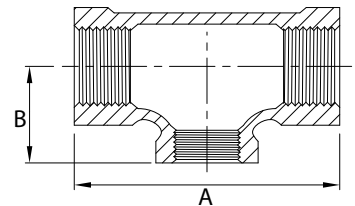


Galvanised Malleable Reducing Tee				
CODE	METRIC SIZE	A	B	APPROX KG/PC
GTR015008	15 x 8	49.2	24.9	0.12
GTR015010	15 x 10	51.8	25.7	0.14
GTR020010	20 x 10	55.8	28.1	0.18
GTR020015	20 x 15	59.0	29.0	0.17
GTR201515	20 x 15 x 15	27.8	30.4	0.18
GTR025010	25 x 10	61.5	30.5	0.26
GTR025015	25 x 15	62.6	31.8	0.22
GTR025020	25 x 20	70.0	36.7	0.25
GTR251525	25 x 15 x 25	72.1	37.3	0.33
GTR252015	25 x 20 x 15	61.3	34.8	0.28
GTR252020	25 x 20 x 20	68.0	35.7	0.43
GTR252532	25 x 25 x 32	85.0	39.0	0.43
GTR252540	25 x 25 x 40	91.5	41.0	0.50
GTR252550	25 x 25 x 50	100.6	47.9	0.64
GTR032010	32 x 10	64.0	36.6	0.40
GTR032015	32 x 15	65.7	37.5	0.30
GTR032020	32 x 20	74.2	42.0	0.43
GTR032025	32 x 25	78.3	41.5	0.38
GTR322515	32 x 25 x 15	66.3	38.0	0.33
GTR322520	32 x 25 x 20	70.2	40.4	0.39
GTR322525	32 x 25 x 25	80.0	40.0	0.46
GTR322532	32 x 25 x 32	87.0	45.0	0.50
GTR323240	32 x 32 x 40	100.0	46.0	0.60
GTR323250	32 x 32 x 50	108.0	48.0	0.65
GTR040010	40 x 10	80.2	40.2	0.45
GTR040015	40 x 15	69.7	41.0	0.37
GTR040020	40 x 20	74.4	42.0	0.46
GTR040025	40 x 25	74.4	45.0	0.50
GTR040032	40 x 32	93.0	48.5	0.68

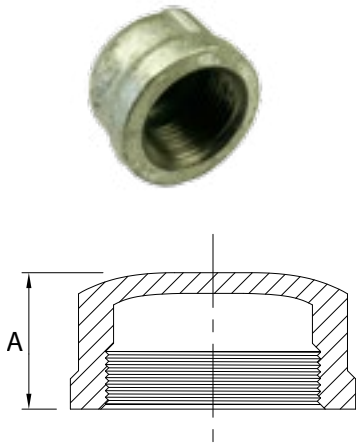


## Galvanised Malleable Reducing Tee (cont)

Galvanised Malleable Reducing Tee				
CODE	METRIC SIZE	A	B	APPROX KG/PC
GTR402520	40 x 25 x 20	72.0	44.0	0.51
GTR402525	40 x 25 x 25	125.7	45.7	0.51
GTR402532	40 x 25 x 32	88.6	47.8	0.56
GTR403215	40 x 32 x 15	69.8	42.2	0.45
GTR403225	40 x 32 x 25	82.7	46.5	0.53
GTR403232	40 x 32 x 32	90.7	47.8	0.73
GTR403240	40 x 32 x 40	95.1	48.3	0.70
GTR403250	40 x 32 x 50	110.0	49.0	0.88
GTR404050	40 x 40 x 50	107.6	50.3	0.88
GTR050015	50 x 15	74.7	48.0	0.55
GTR050020	50 x 20	80.0	49.0	0.60
GTR050025	50 x 25	88.9	56.0	0.85
GTR050032	50 x 32	98.4	51.0	0.95
GTR050040	50 x 40	109.4	52.0	0.86
GTR502540	50 x 25 x 40	95.1	53.8	0.80
GTR502550	50 x 25 x 50	106.4	56.1	0.96
GTR503225	50 x 32 x 25	86.0	51.5	0.75
GTR504025	50 x 40 x 25	85.8	51.3	0.80
GTR504032	50 x 40 x 32	92.6	52.2	0.76
GTR504050	50 x 40 x 50	109.8	56.1	1.03
GTR065040	65 x 40	109.8	63.8	1.51
GTR065050	65 x 50	121.4	66.0	1.70
GTR080040	80 x 40	116.4	71.1	2.17
GTR080050	80 x 50	126.0	70.0	1.83
GTR100050	100 x 50	136.4	84.9	3.67
GTR100065	100 x 65	155.0	89.2	4.19
GTR100080	100 x 80	164.2	89.6	4.19
GTR150080	150 x 80	185.0	120.7	8.59
GTR150100	150 x 100	209.8	125.5	8.89

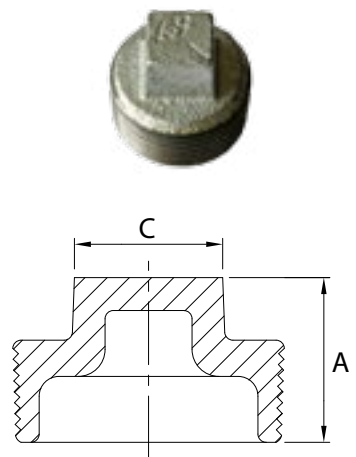


## Galvanised Malleable Cap



Galvanised Malleable Cap			
CODE	METRIC SIZE	A	APPROX KG/PC
GC008	8	16.0	0.03
GC010	10	18.8	0.04
GC015	15	22.1	0.06
GC020	20	24.6	0.08
GC025	25	29.5	0.14
GC032	32	32.5	0.21
GC040	40	33.8	0.30
GC050	50	36.8	0.45
GC065	65	43.2	0.72
GC080	80	45.7	1.14
GC100	100	52.8	1.85

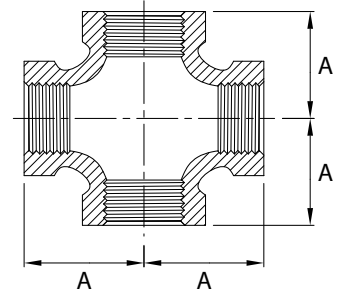
## Galvanised Malleable Square Head Plug



Galvanised Malleable Square Head Plug				
CODE	METRIC SIZE	A	C	APPROX KG/PC
GP006	6	15.9	7.1	0.01
GP008	8	18.7	9.5	0.02
GP010	10	20.6	11.0	0.02
GP015	15	24.4	14.3	0.04
GP020	20	27.7	15.9	0.06
GP025	25	31.8	20.9	0.10
GP032	32	35.1	23.8	0.15
GP040	40	37.5	28.6	0.19
GP050	50	40.5	33.3	0.31
GP065	65	50.8	38.1	0.41
GP080	80	49.7	42.9	0.76
GP100	100	56.4	58.0	1.37

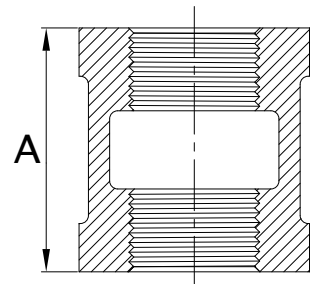
## Galvanised Malleable Cross

Galvanised Malleable Cross			
CODE	METRIC SIZE	A	APPROX KG/PC
GX010	10	24.1	0.12
GX015	15	28.5	0.19
GX020	20	33.3	0.29
GX025	25	38.1	0.45
GX032	32	44.5	0.66
GX040	40	49.3	0.86
GX050	50	57.2	1.34
GX065	65	68.6	2.49
GX080	80	80.0	3.59

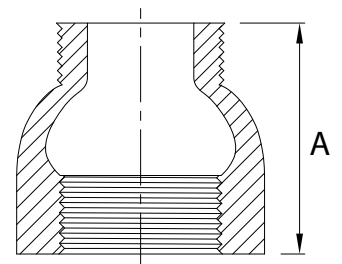


## Galvanised Malleable Socket

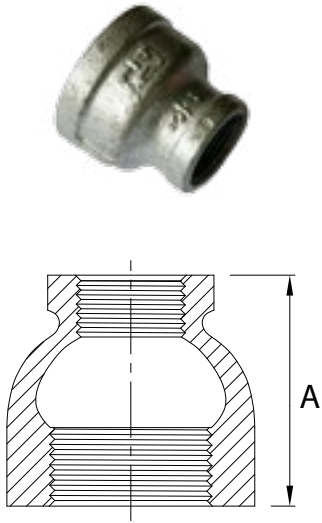
Galvanised Malleable Socket			
CODE	METRIC SIZE	A	APPROX KG/PC
GS006	6	24.4	0.03
GS008	8	26.9	0.04
GS010	10	29.5	0.1
GS015	15	34.0	0.1
GS020	20	38.6	0.1
GS025	25	42.4	0.2
GS032	32	49.0	0.3
GS040	40	54.6	0.4
GS050	50	64.6	0.6
GS065	65	73.2	1.1
GS080	80	80.8	1.6
GS100	100	93.7	2.6



Galvanised Malleable Male Female Socket			
CODE	METRIC SIZE	A	APPROX KG/PC
GSMF015	15	40.0	0.07
GSMF025	25	55.0	0.18



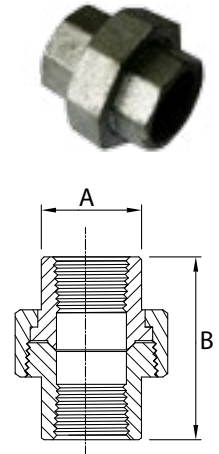
## Galvanised Malleable Reducing Socket



Galvanised Malleable Reducing Socket			
CODE	METRIC SIZE	A	APPROX KG/PC
GSR008006	8 x 6	25.4	0.033
GSR010008	10 x 8	28.7	0.05
GSR015008	15 x 8	31.8	0.05
GSR015010	15 x 10	31.8	0.07
GSR020008	20 x 8	36.6	0.09
GSR020010	20 x 10	36.6	0.10
GSR020015	20 x 15	36.6	0.11
GSR025008	25 x 8	42.0	0.14
GSR025010	25 x 10	42.9	0.16
GSR025015	25 x 15	42.9	0.16
GSR025020	25 x 20	42.9	0.18
GSR032015	32 x 15	52.3	0.24
GSR032020	32 x 20	52.3	0.26
GSR032025	32 x 25	52.3	0.28
GSR040015	40 x 15	58.7	0.31
GSR040020	40 x 20	58.7	0.32
GSR040025	40 x 25	58.7	0.35
GSR040032	40 x 32	58.7	0.39
GSR050015	50 x 15	71.4	0.52
GSR050020	50 x 20	71.4	0.52
GSR050025	50 x 25	71.4	0.55
GSR050032	50 x 32	71.4	0.54
GSR050040	50 x 40	71.4	0.62
GSR065025	65 x 25	82.6	0.89
GSR065032	65 x 32	82.6	0.93
GSR065040	65 x 40	82.6	0.94
GSR065050	65 x 50	82.6	1.01
GSR080025	80 x 25	93.7	1.39
GSR080032	80 x 32	93.7	1.40
GSR080040	80 x 40	93.7	1.47
GSR080050	80 x 50	93.7	1.50
GSR080065	80 x 65	93.7	1.61
GSR100050	100 x 50	111.3	2.52
GSR100065	100 x 65	111.3	2.68
GSR100080	100 x 80	111.3	2.74
GSR150100	150 x 100	147.5	6.67

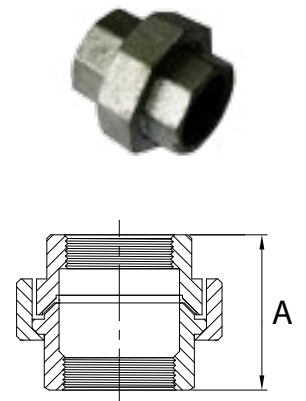
## Galvanised Malleable Steel to Brass Female-Female Union

Galvanised Malleable Steel to Brass Female-Female Union			
CODE	METRIC SIZE	A	APPROX KG/PC
GUB008	8	36.6	0.10
GUB010	10	40.9	0.16
GUB015	15	41.5	0.24
GUB020	20	45.0	0.35
GUB025	25	49.0	0.53
GUB032	32	58.0	0.75
GUB040	40	63.0	0.95
GUB050	50	77.0	1.47
GUB065	65	79.0	2.41
GUB080	80	82.0	3.15
GUB100	100	99.5	5.45

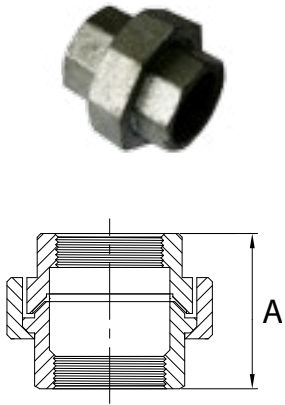


## Galvanised Malleable Female-Female Mac Union

Galvanised Malleable Steel to Steel Female-Female Union			
CODE	METRIC SIZE	A	APPROX KG/PC
GUM015	15	48.0	0.24
GUM020	20	52.0	0.35
GUM025	25	58.0	0.53
GUM032	32	65.0	0.75
GUM040	40	75.0	0.95
GUM050	50	85.0	1.47
GUM065	65	97.0	2.41
GUM080	80	110.0	3.15

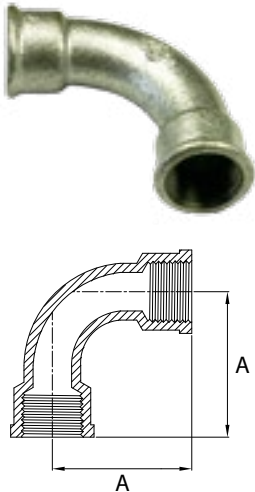


**Galvanised Malleable Steel to Steel Female-Female Union**



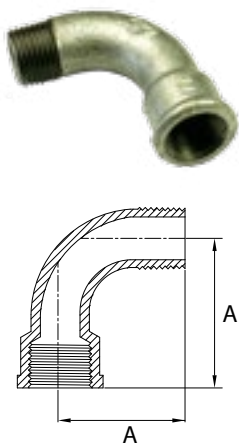
Galvanised Malleable Steel to Steel Female-Female Union			
CODE	METRIC SIZE	A	APPROX KG/PC
GUT010	10	43.0	0.10
GUT015	15	45.0	0.12
GUT020	20	50.0	0.20
GUT025	25	55.0	0.30
GUT032	32	62.0	0.45
GUT040	40	68.0	0.70
GUT050	50	75.0	1.20
GUT065	65	80.0	1.60

**Galvanised Malleable Female-Female Bend 90 Degree**



Galvanised Malleable Female-Female Bend 90 Degree			
CODE	METRIC SIZE	A	APPROX KG/PC
GBE010	10	44.0	0.10
GBE015	15	52.0	0.13
GBE020	20	65.0	0.24
GBE025	25	82.0	0.35
GBE032	32	100.0	0.61
GBE040	40	115.0	0.77
GBE050	50	140.0	1.30
GBE065	65	175.0	2.40
GBE080	80	205.0	3.57
GBE100	100	260.0	6.50

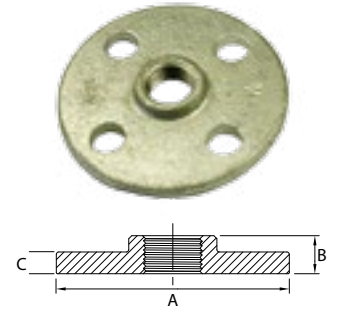
**Galvanised Malleable Male-Female Bend 90 Degree**



Galvanised Malleable Male-Female Bend 90 Degree			
CODE	METRIC SIZE	A	APPROX KG/PC
GBEMF008	8	38.0	0.06
GBEMF010	10	44.0	0.08
GBEMF015	15	52.0	0.10
GBEMF020	20	65.0	0.19
GBEMF025	25	82.0	0.30
GBEMF032	32	100.0	0.53
GBEMF040	40	115.0	0.66
GBEMF050	50	140.0	1.20
GBEMF065	65	175.0	2.25
GBEMF080	80	205.0	3.00
GBEMF100	100	260.0	6.75

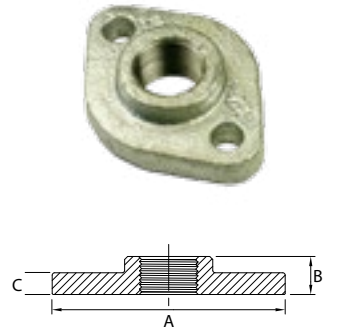
## Galvanised Malleable Flange BS10 Drilled Table “D”

Galvanised Malleable Flange BS10 Drilled Table “D”					
CODE	METRIC SIZE	A	B	C	APPROX KG/PC
GFT015	15	88.9	12.7	7.2	0.29
GFT020	20	88.9	15.9	7.9	0.33
GFT025	25	101.6	17.5	8.7	0.46
GFT032	32	101.6	19.1	8.7	0.45
GFT040	40	114.3	22.2	9.5	0.62
GFT050	50	139.7	25.4	10.3	0.96
GFT065	65	165.0	30.0	10.3	1.28
GFT080	80	185.0	33.8	10.3	1.75
GFT100	100	215.0	39.0	11.2	2.63
GFT150	150	280.0	41.7	13.8	4.72



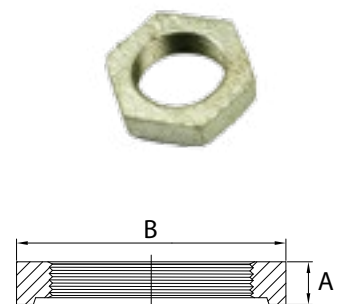
## Galvanised Malleable Flange Oval

Galvanised Malleable Flange Oval					
CODE	METRIC SIZE	A	B	C	APPROX KG/PC
GFO015	15	62.0	6.0	4.4	0.18
GFO020	20	73.0	10.5	5.0	0.27
GFO025	25	84.1	11.2	4.8	0.38
GFO032	32	100.0	12.7	5.6	0.59
GFO040	40	109.5	14.3	6.4	0.72



## Galvanised Malleable Backnut

Galvanised Malleable Backnut				
CODE	METRIC SIZE	A	B	APPROX KG/PC
GBNUT015	15	8.1	30.0	0.03
GBNUT020	20	8.8	36.3	0.04
GBNUT025	25	9.9	44.5	0.06
GBNUT032	32	10.9	53.3	0.09
GBNUT040	40	12.1	59.7	0.11
GBNUT050	50	13.7	73.2	0.18
GBNUT065	65	16.0	90.1	0.29
GBNUT080	80	20.8	107.0	0.54
GBNUT100	100	23.7	136.0	1.06

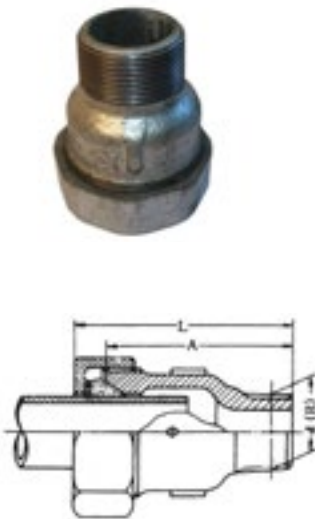


**Galvanised Malleable Female-Female Long Compression Coupling**



<b>Galvanised Malleable Female-Female Long Compression Coupling</b>				
<b>CODE</b>	<b>METRIC SIZE</b>	<b>A</b>	<b>L</b>	<b>APPROX KG/PC</b>
GCC015	15	83	95	0.25
GCC020	20	90	100	0.45
GCC025	25	98	110	0.80
GCC032	32	105	112	0.80
GCC040	40	115	120	1.10
GCC050	50	112	123	1.40

**Galvanised Malleable Male-Female Long Compression Coupling**



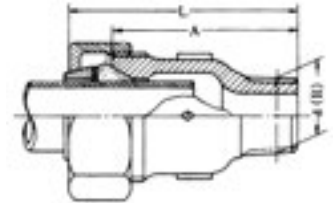
<b>Galvanised Malleable Male-Female Long Compression Coupling</b>				
<b>CODE</b>	<b>METRIC SIZE</b>	<b>A</b>	<b>L</b>	<b>APPROX KG/PC</b>
GCCMF020	20	53	65	0.20
GCCMF025	25	58.5	70.5	0.40
GCCMF032	36	62	75	0.50
GCCMF040	40	64.5	77.5	0.70



## Galvanised Malleable Riken Male-Female Compression Coupling

**Galvanised Malleable RIKEN (HI-LA) Male Adaptor Coupling**

CODE	METRIC SIZE	A	L	APPROX KG/PC
GCRA015	15	50	62	0.20
GCRA020	20	53	65	0.30
GCRA025	25	58.5	70.5	0.40
GCRA032	35	62	75	0.50
GCRA040	40	64.5	77.5	0.60
GCRA050	50	72	88	1.00



## Galvanised Malleable Riken Compression Coupling

**Galvanised Malleable RIKEN (HI-LA) Coupling Lockrings**

CODE	METRIC SIZE	A	L	APPROX KG/PC
GCRC015	15	87.5	112.5	0.22
GCRC020	20	94	119	0.45
GCRC025	25	100	125	0.65
GCRC032	32	106	132	0.85
GCRC040	40	112.5	139.5	1.20
GCRC050	50	119	151	1.70

